

SECTION : 9A

BODY WIRING SYSTEM

CAUTION : *Disconnect the negative battery cable before removing or installing any electrical unit or when a tool or equipment could easily come in contact with exposed electrical terminals. Disconnecting this cable will help prevent personal injury and damage to the vehicle. The ignition must also be in LOCK unless otherwise noted..*

TABLE OF CONTENTS

SCHEMATIC AND ROUTING DIAGRAMS	9A-1	FUSE CHART	9A-5
WIRE COLOR CHART	9A-1	REAR HARNESS ROUTING	9A-7
POWER DISTRIBUTION SCHEMATIC	9A-2	FRONT HARNESS ROUTING	9A-8
FUSE BLOCK LOCATOR (ENGINE)	9A-4	FLOOR HARNESS ROUTING	9A-9
FUSE BLOCK LOCATOR (PASSENGER COMPARTMENT)	9A-4	INSTRUMENT HARNESS ROUTING	9A-10
		DOOR HARNESS ROUTING	9A-11

SCHEMATIC AND ROUTING DIAGRAMS

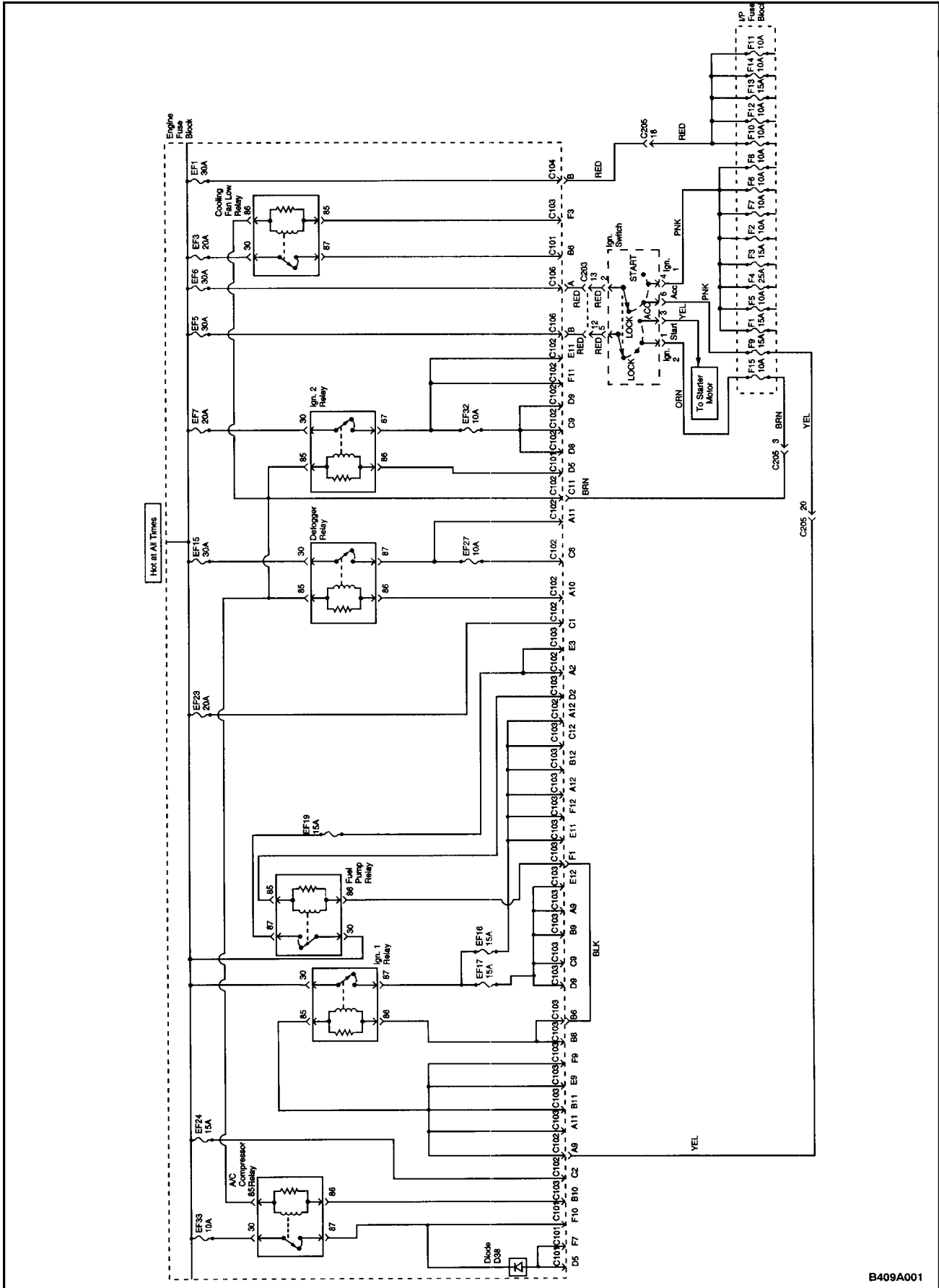
WIRE COLOR CHART

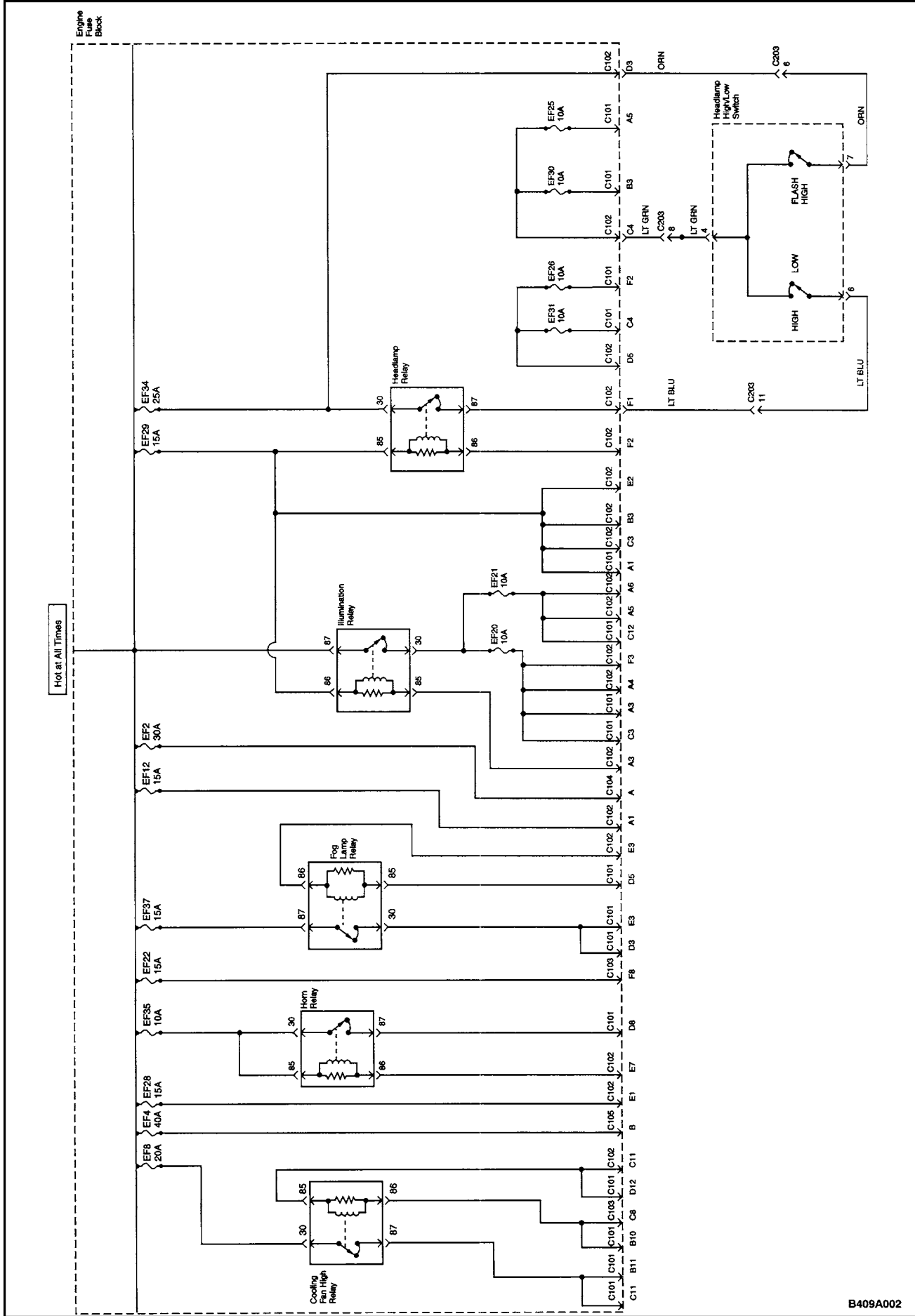
Wire Color	Abbreviation On Schematic
Green	DK GRN
Light Green	LT GRN
Blue	DK BLU
Brown	BRN
Orange	ORN
Yellow	YEL
Grey	GRY
Sky Blue	LT BLU
Red	RED
Black	BLK
Pink	PNK
White	WHT
Purple	PPL

Wires With Tracers

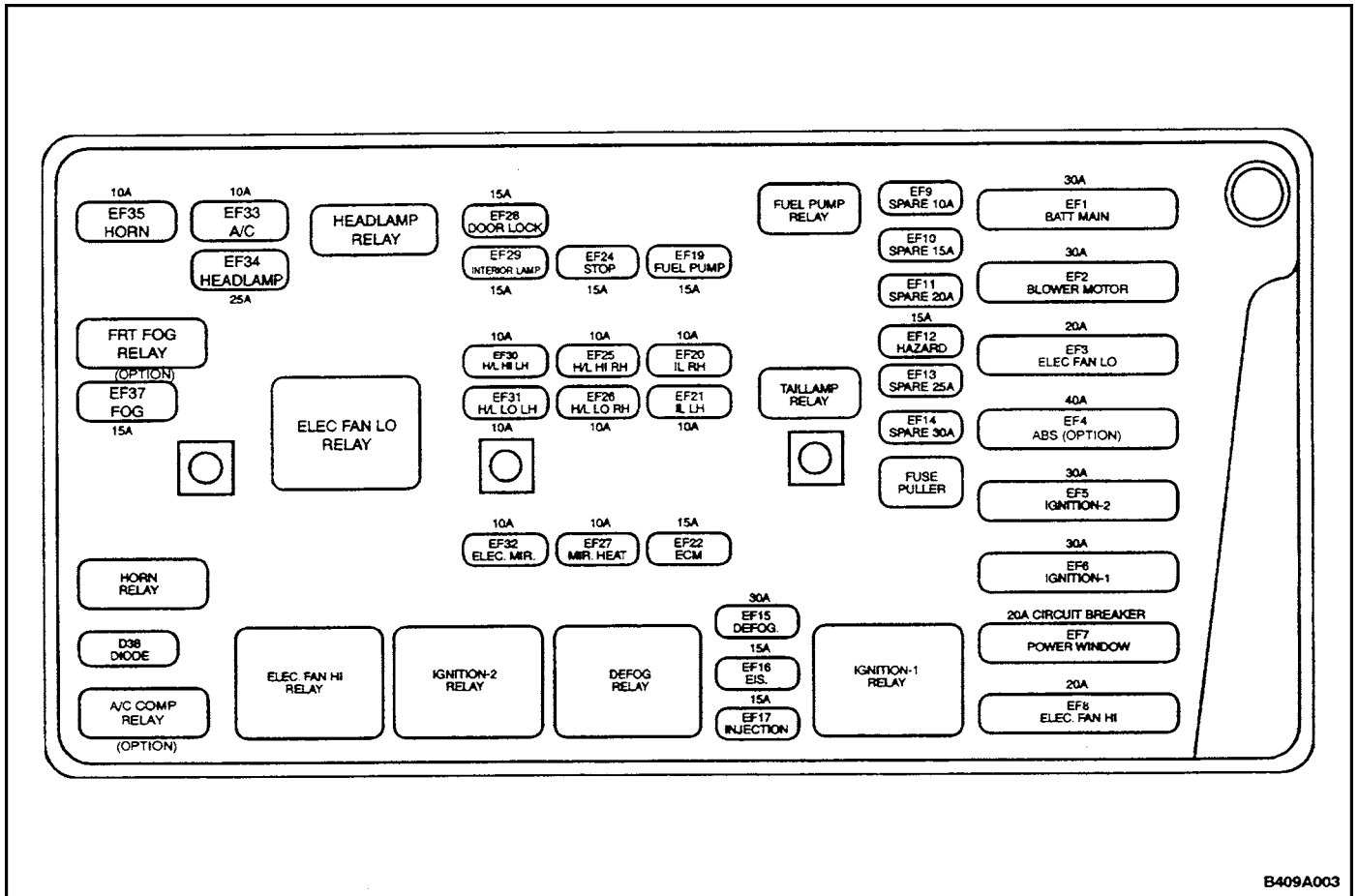
Wire Color	Abbreviation On Schematic
Red with White Tracer	RED/WHT

POWER DISTRIBUTION SCHEMATIC



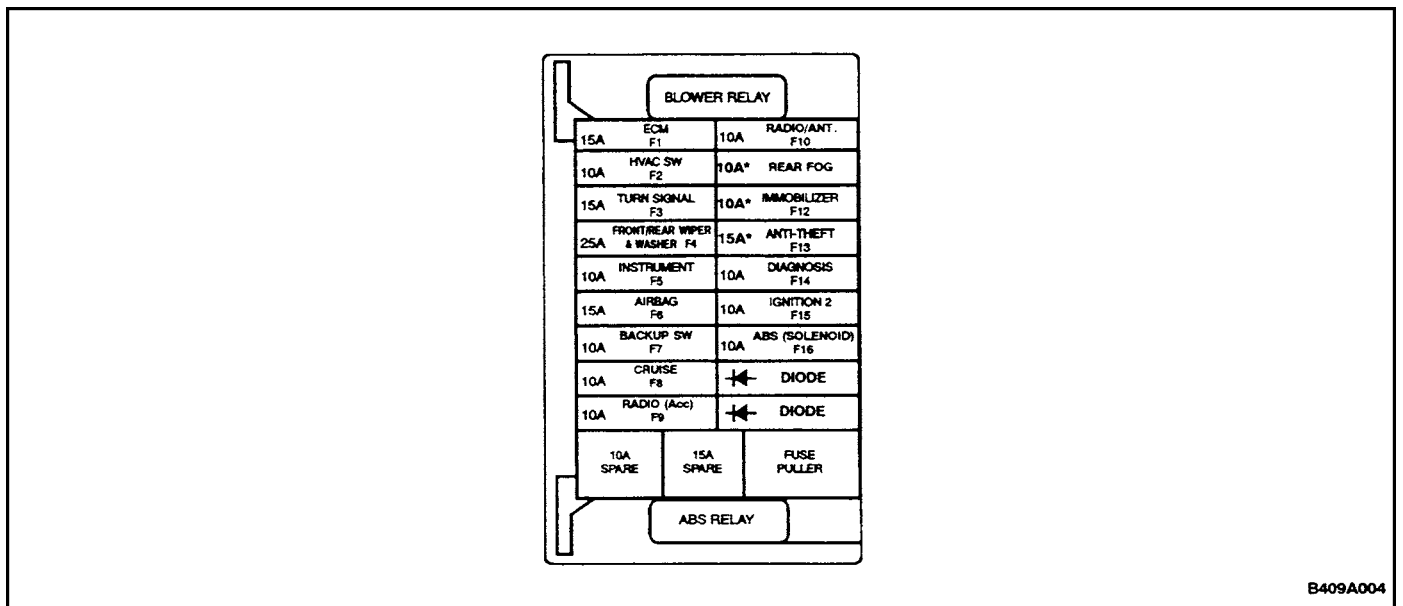


FUSE BLOCK LOCATOR (ENGINE)



B409A003

FUSE BLOCK LOCATOR (PASSENGER COMPARTMENT)



B409A004

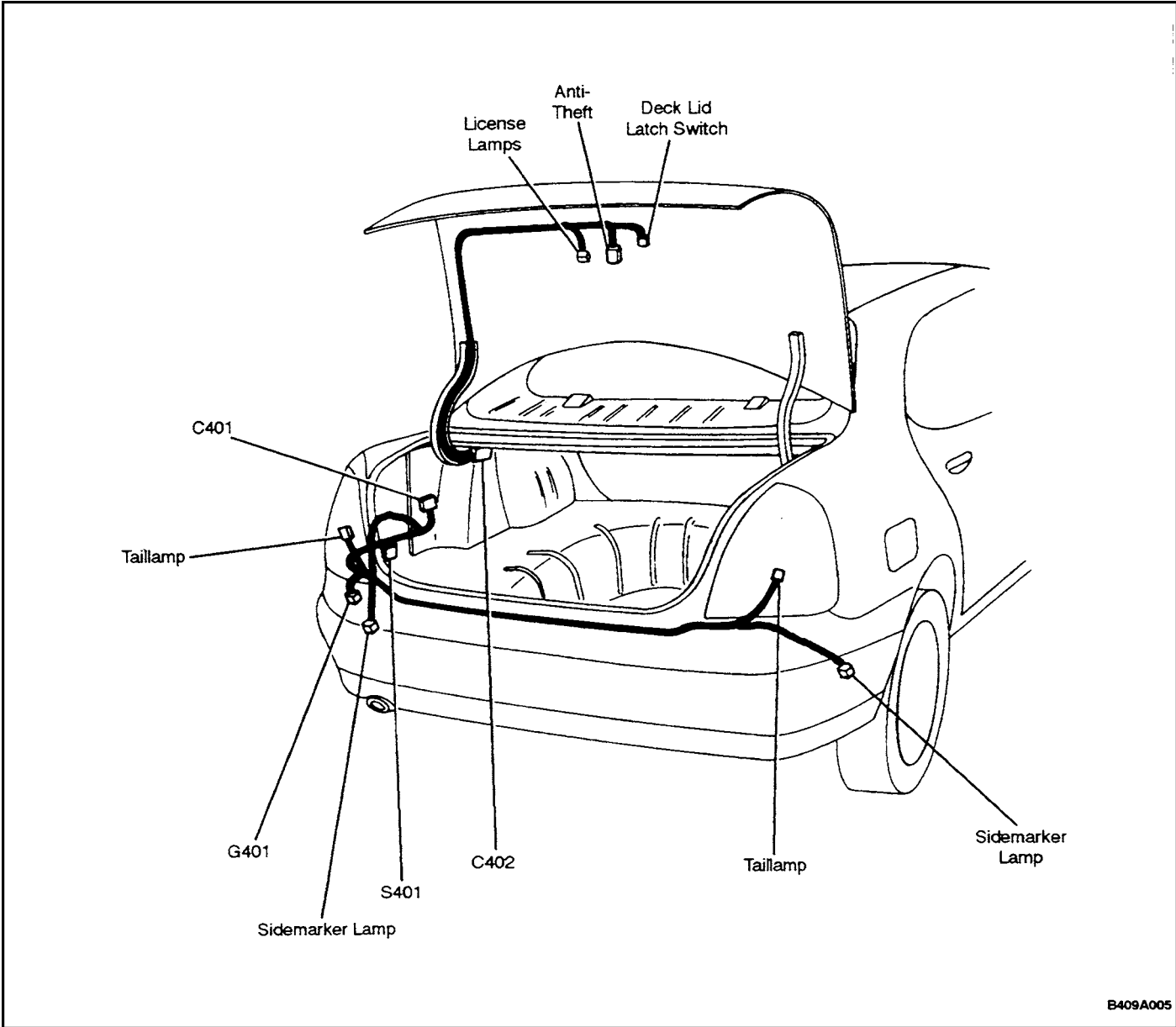
FUSE CHART

Fuse	Rating/Source		Circuit
EF1 (Engine Fuse)	30A	B+	I/P Fuse Block, Engine Control Module
EF2	30A	B+	Blower Motor
EF3	20A	B+	Cooling Fan (Low) Relay, Cooling Fan
EF4	40A	B+	ABS Relay
EF5	30A	B+	Ign 2 (Ign Key)
EF6	30A	B+	Ign 1 (Ign Key)
EF7	20A	B+	Ign 2 Relay, EF32, Sun Roof, Power Windows
EF8	20A	B+	Cooling Fan (High) Relay, Cooling Fan Control Relay, Cooling Fan
EF12	15A	B+	Hazard Switch
EF15	30A	B+	Defogger Relay, EF27, Back Window Defogger
EF16	15A	B+	EVAP Solenoid, VGIS Solenoid, Generator Terminal F, Electronic Ignition System Coil
EF17	15A	B+	Injector 1, Injector 2, Injector 3, Injector 4
EF19	15A	B+	Fuel Pump
EF20	10A	B+	Parking Lamp, RH Taillamp
EF21	10A	B+	Parking Lamp, License Lamp, LH Taillamp
EF23	20A	B+	Cigar Lighter
EF24	15A	B+	Stoplamp Switch
EF25	10A	EF12	Headlamp High RH
EF26	10A	EF12	Headlamp Low RH
EF27	10A	EF32	Electric Outside Rearview Mirror Defogger
EF28	15A	B+	Auto Door Lock
EF29	15A	B+	Illumination Relay, Siren, Power Antenna, Luggage Compartment Lamp, Interior Courtesy Lamp, Headlamp Relay
EF30	10A	EF12	Headlamp High LH
EF31	10A	EF12	Headlamp Low LH
EF32	10A	EF7	Electric Outside Rearview Mirror, Keyless Entry System Unit

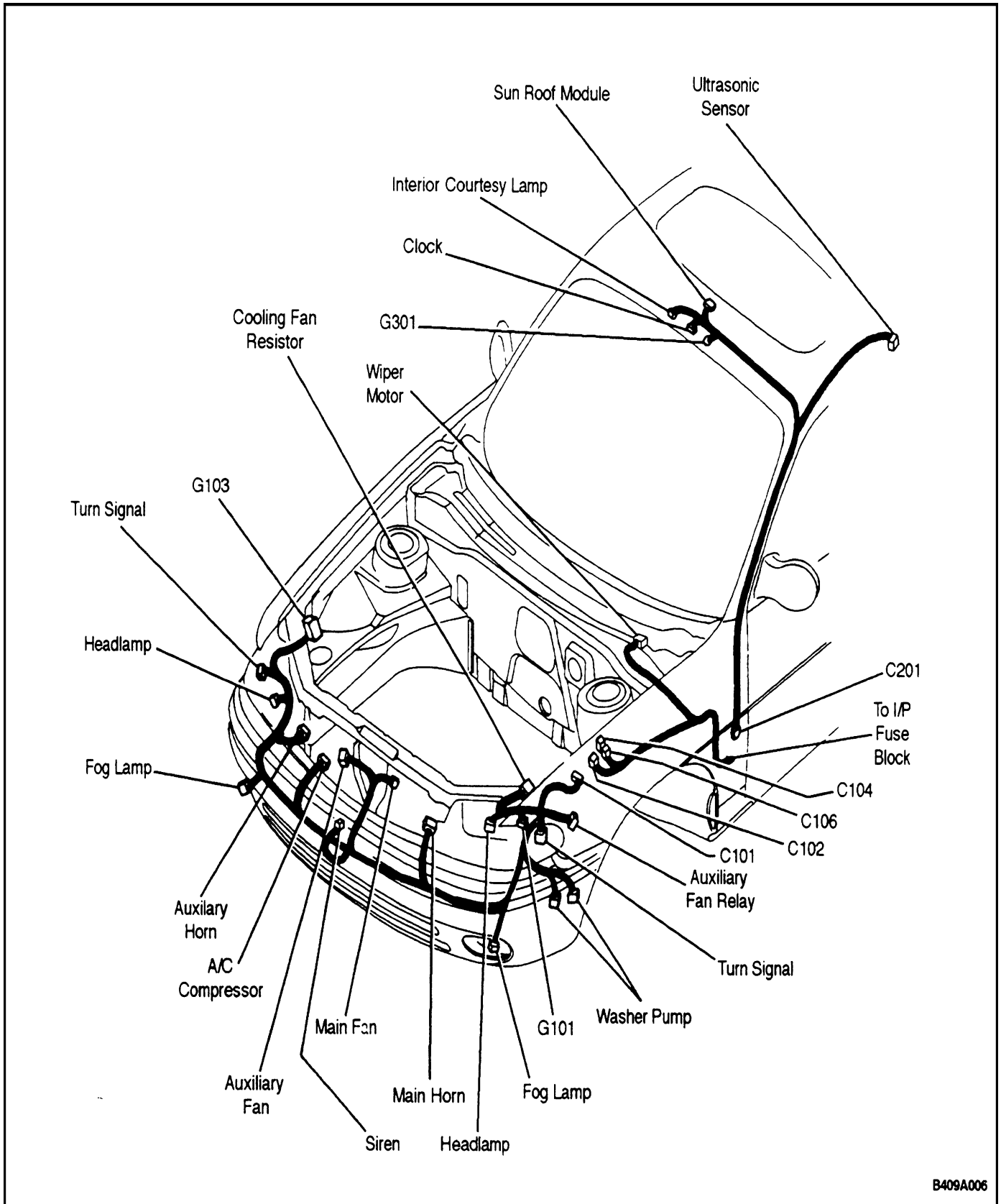
9A – 6 BODY WIRING SYSTEM

Fuse	Rating/Source		Circuit
EF33	10A	B+	A/C Compressor Relay, A/C Compressor, D38 (diode)
EF34	25A	B+	Headlamp Relay, EF30, EF25, EF31, EF26, High Headlamp Switch, Passenger Switch
EF35	10A	B+	Horn Switch and Horn
EF37	15A	B+	Fog Lamp Relay, Front Fog Lamps
F1 (Fuse)	15A	EF6	Ign 1 Relay, Engine Control Module, CMP
F2	10A	EF6	HVAC Switch
F3	15A	EF6	Hazard Switch/Turn Signal, Digital Clock
F4	25A	EF6	Wiper Switch, Intermittent Wiper Relay, Wiper Motor, Rear Wiper Motor, Rear Wiper Motor Switch
F5	10A	EF6	ABS Warning Lamp, Chime Module, Transmission Range Switch, Instrument Cluster. BTSI Solenoid
F6	10A	EF6	SIR System
F7	10A	EF6	Backup Switch
F8	10A	EF6	Cruise Control, Immobilizer
F9	15A	EF6	Radio, Key Interlock Solenoid, Cigarette Lighter
F10	10A	EF1	Instrument Cluster
F12	10A	EF1	Engine Immobilizer
F13	15A	EF1	Anti-Theft System
F14	10A	EF1	Data Link Connector
F15	10A	EF5	Ign 2 Relay, A/C Relay, Defogger Relay, ABS Relay, ABS EBCM

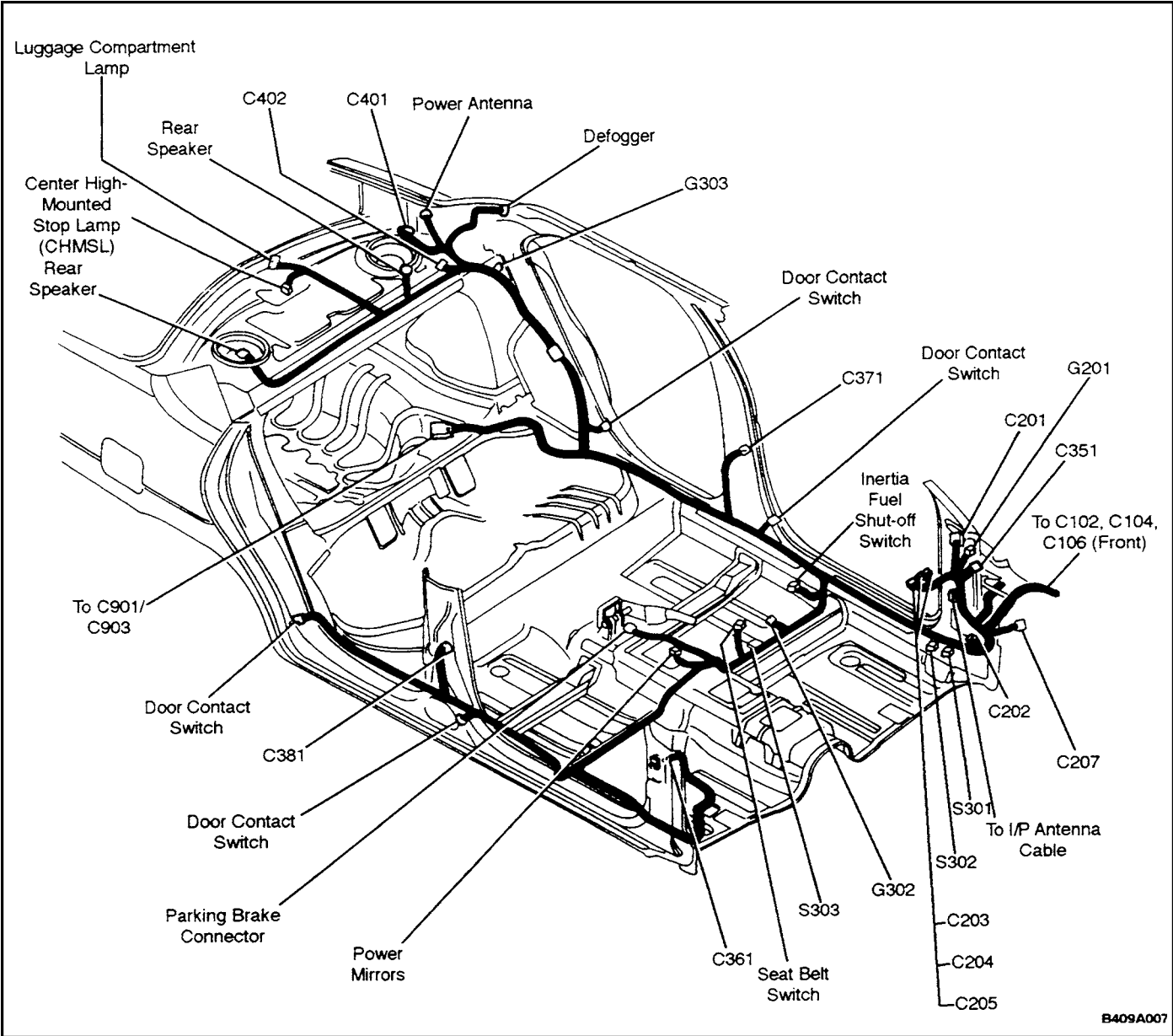
REAR HARNESS ROUTING



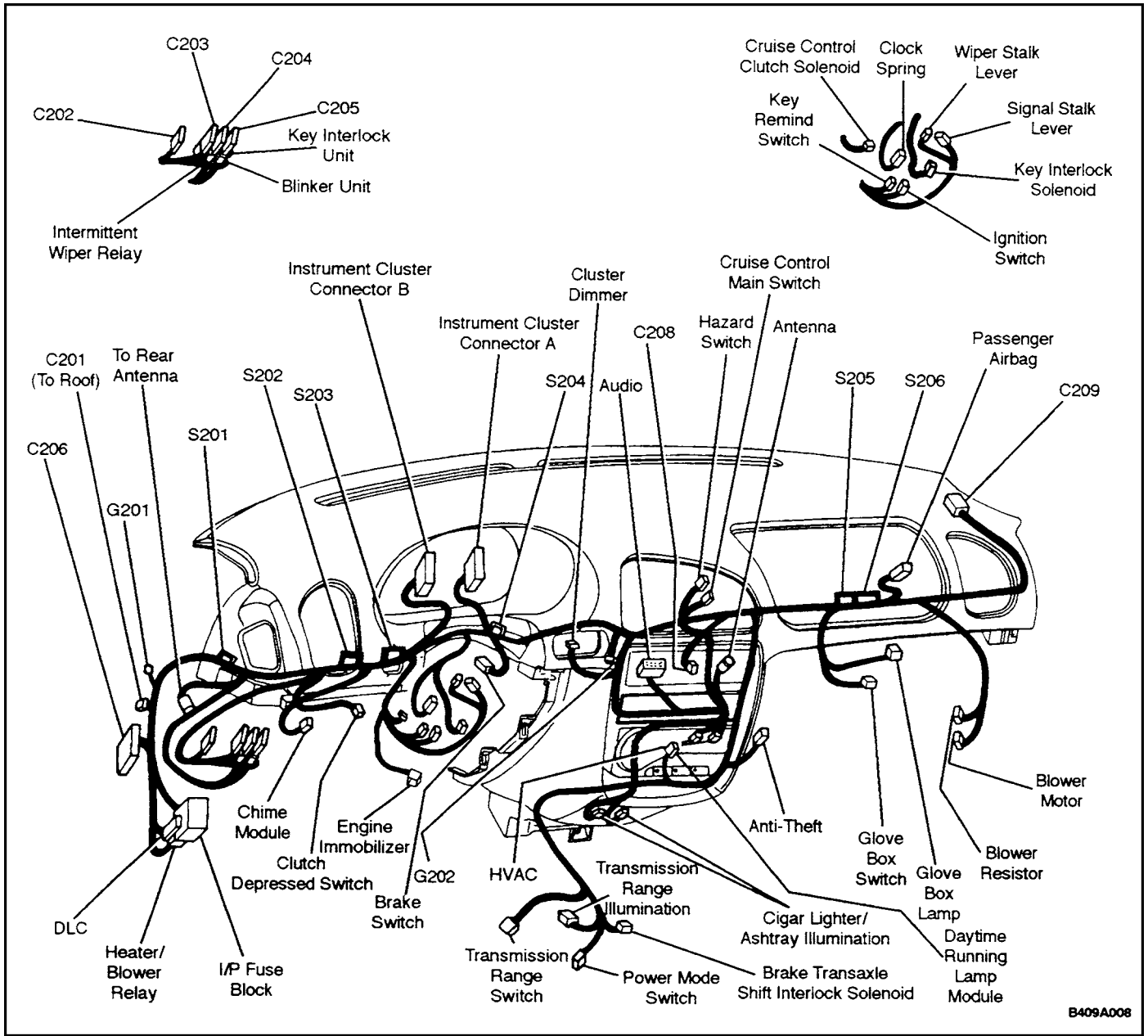
FRONT HARNESS ROUTING



FLOOR HARNESS ROUTING



INSTRUMENT HARNESS ROUTING



DOOR HARNESS ROUTING

